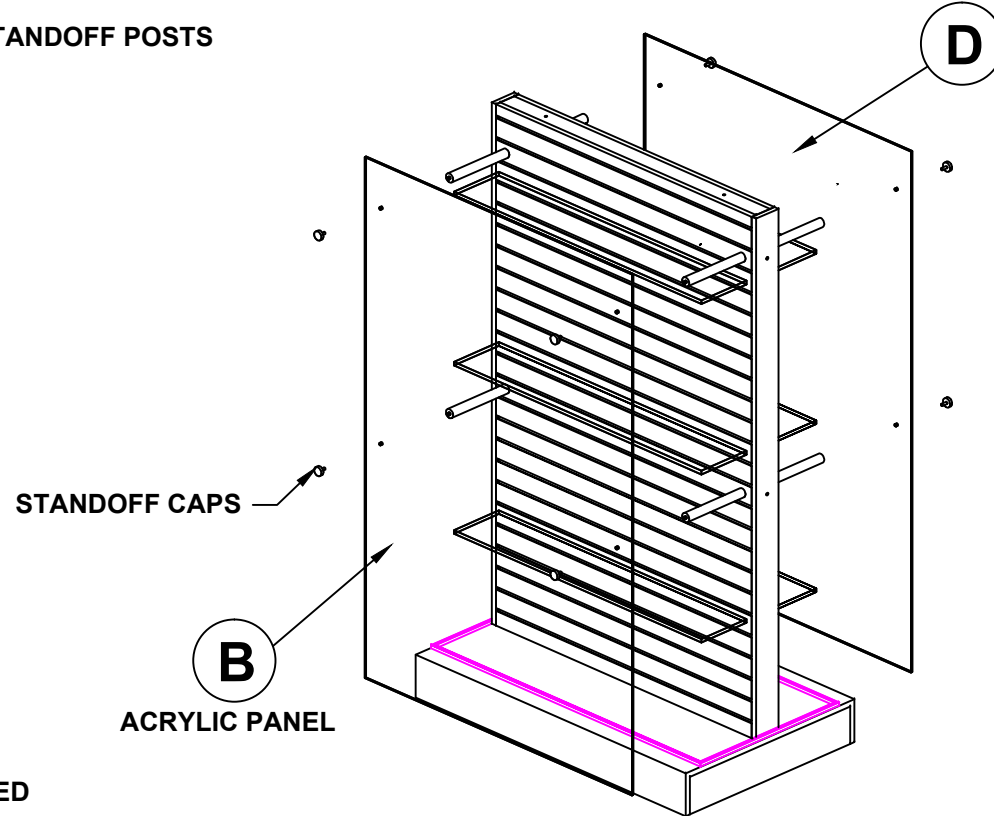
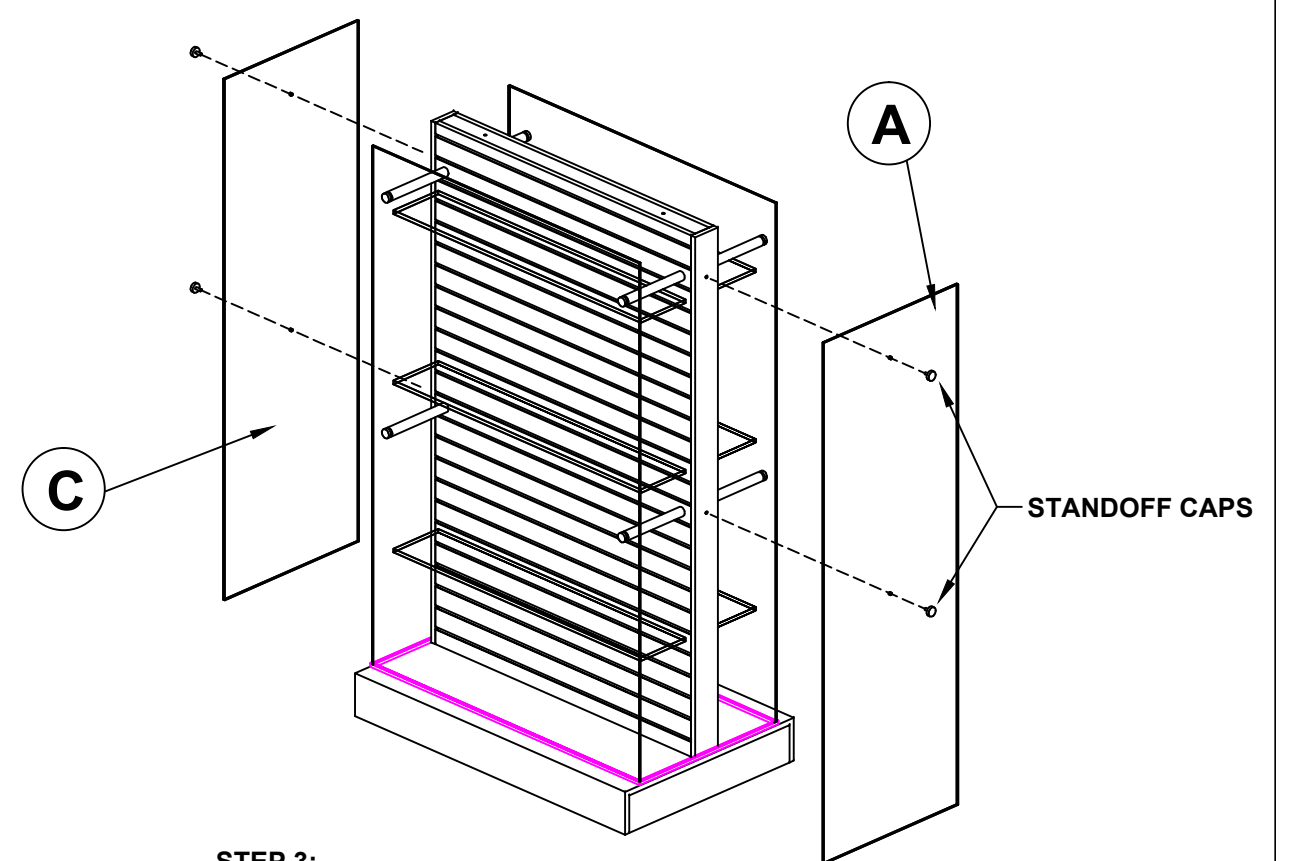


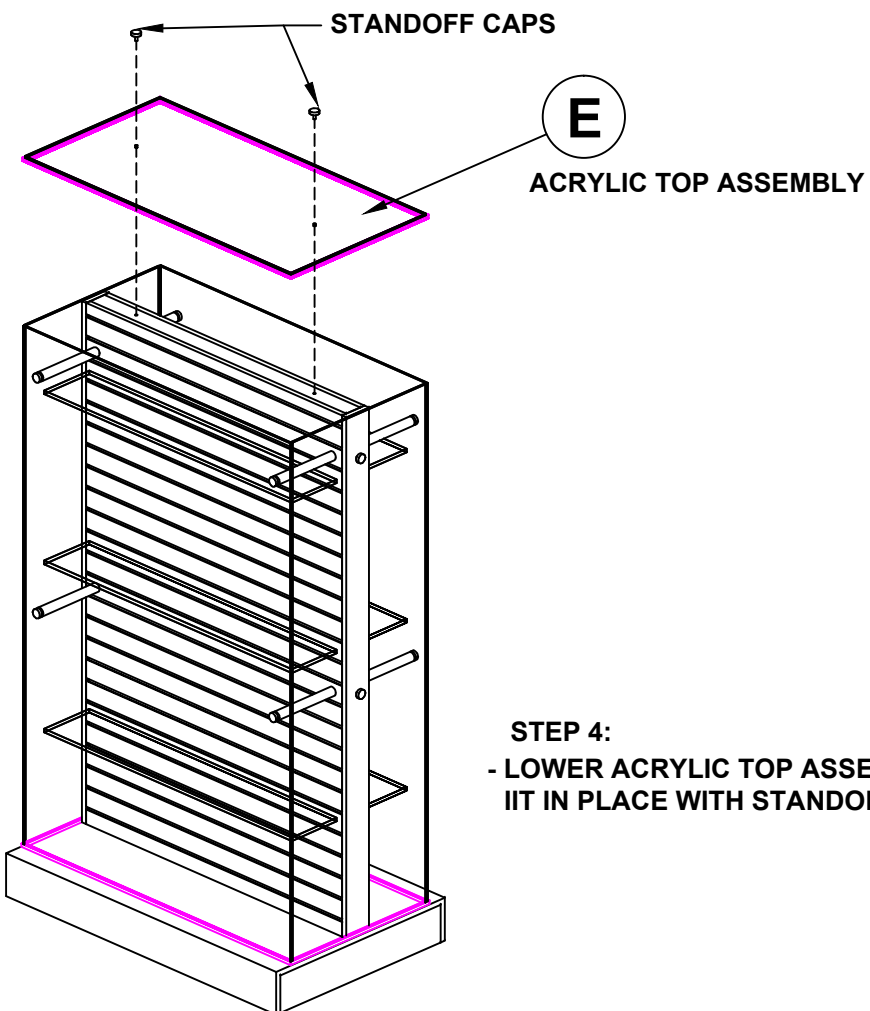
STEP 1:
 SCREW IN STANDOFF POST INTO INSERTS LOCATED
 IN BACK SLATWALLS PANELS.
 - ATTACH ALL SHELVING AT THIS POINT.



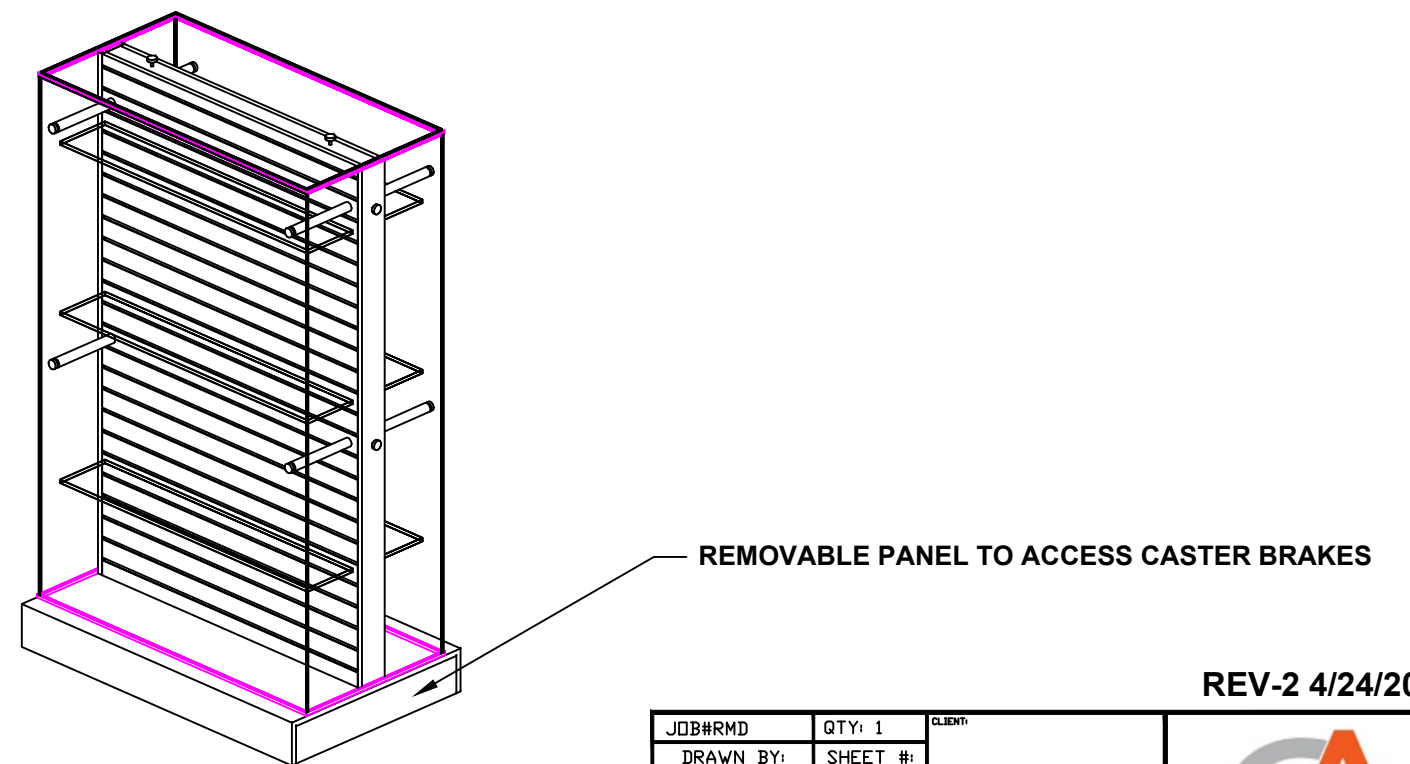
STEP 2:
 - PLACE ACRYLIC PANEL (B & D) IN BOTTOM CHANNEL
 AND SECURE TO STANDOFF POST WITH CAPS.




STEP 3:
 SLIDE SIDE ACRYLIC PANELS (C & A) INTO CHANNELS
 ON BASE AND SECURE WITH STANDOFF CAPS



STEP 4:
 - LOWER ACRYLIC TOP ASSEMBLY (E) AND SECURE
 IT IN PLACE WITH STANDOFF CAPS.



REV-2 4/24/2017

| | | | |
|--|----------|---------|---|
| JOB#RMD | QTY: 1 | CLIENT: |  |
| DRAWN BY: | SHEET #: | | |
| M. ALYEA | 1 OF 1 | | |
| PROJECT DESCRIPTION | | | |
| ROLLIE MOBILE DISPLAY DOUBLE SIDED INSTALL | | | |