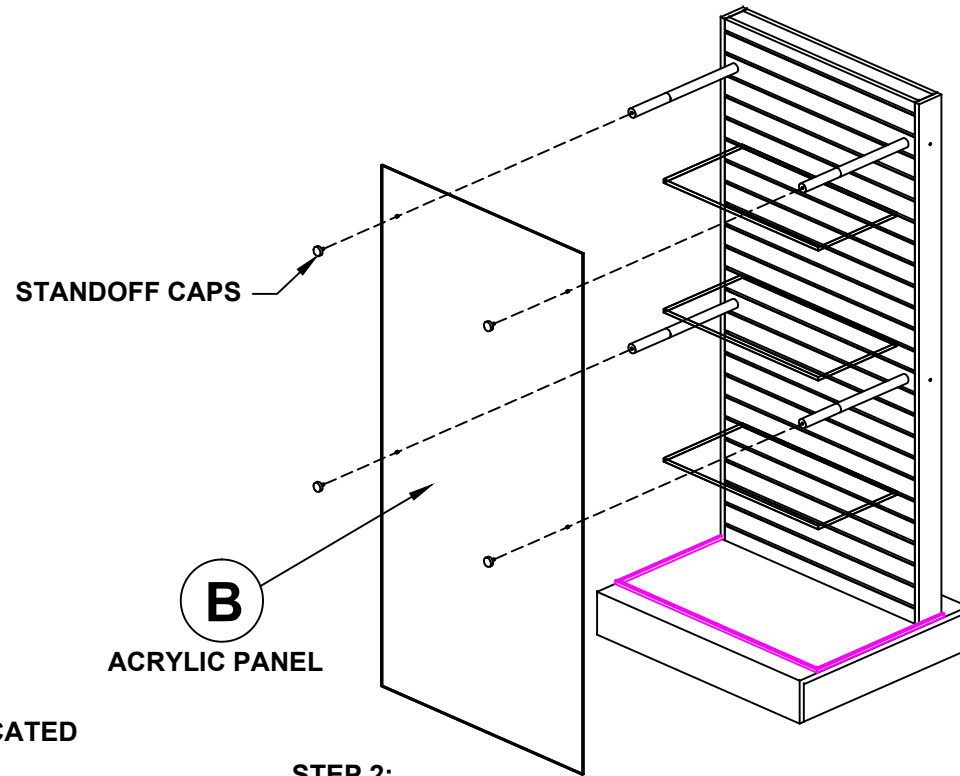
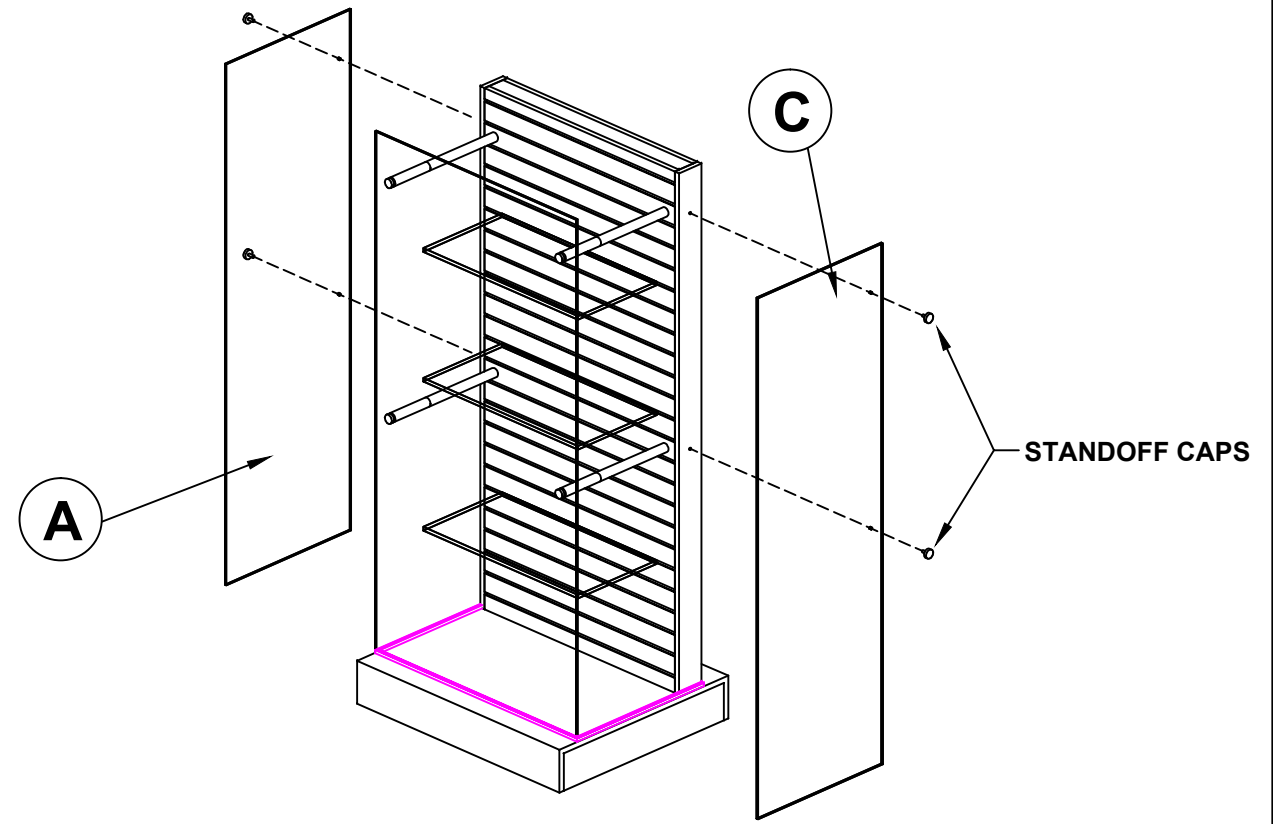


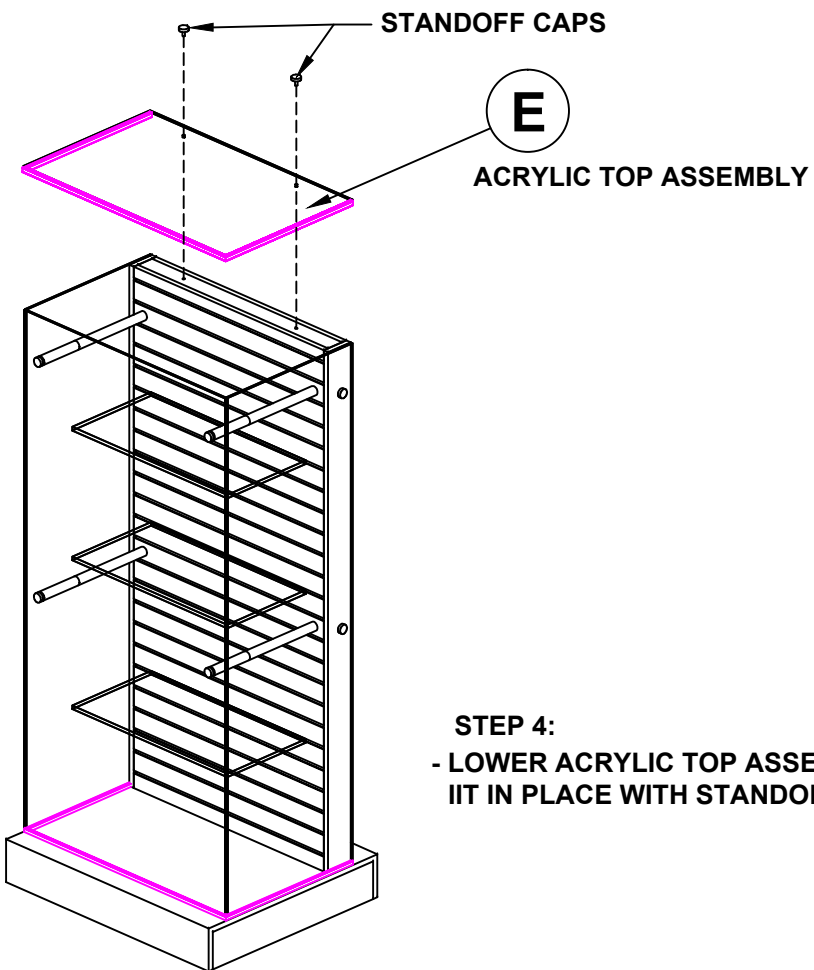
STEP 1:
 SCREW IN STANDOFF POST INTO INSERTS LOCATED
 IN BACK SLATWALLS PANELS.
 - ATTACH ALL SHELVING AT THIS POINT.



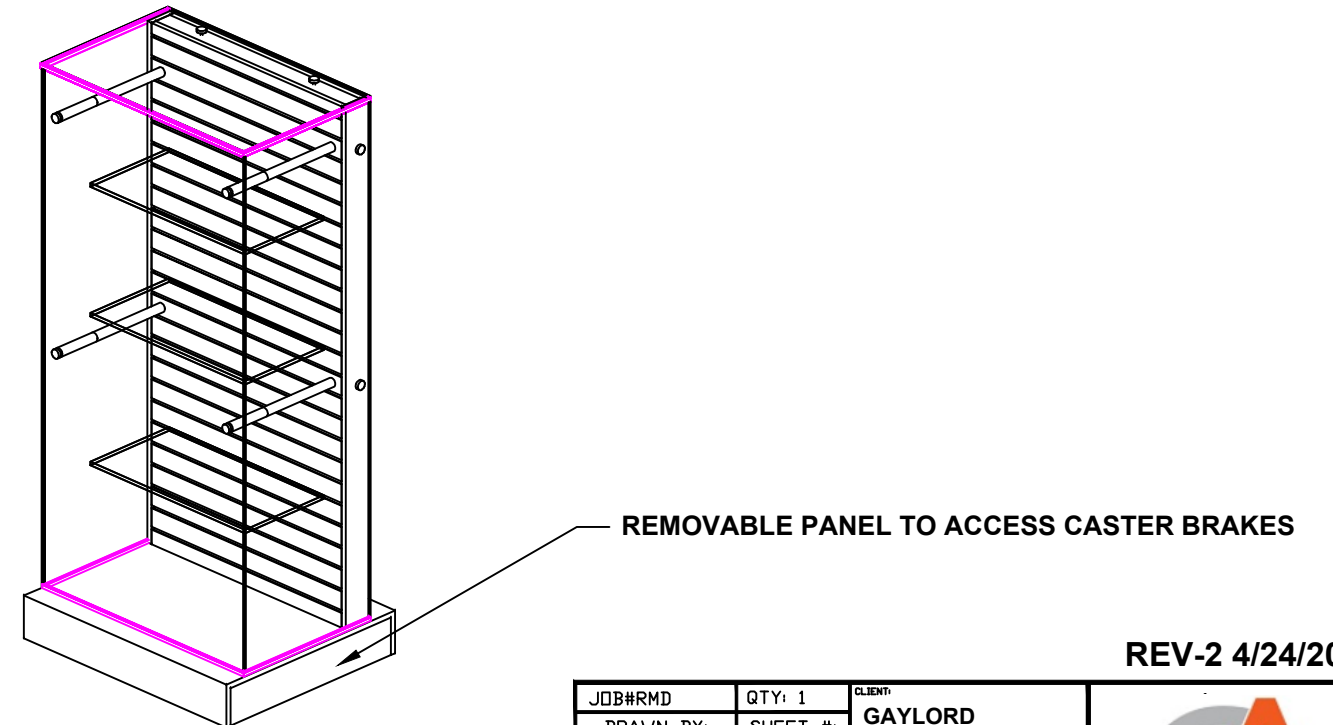
STEP 2:
 - PLACE ACRYLIC PANEL (B) IN BOTTOM CHANNEL
 AND SECURE TO STANDOFF POST WITH CAPS.



STEP 3:
 SLIDE SIDE ACRYLIC PANELS (C & A) INTO CHANNELS
 ON BASE AND SECURE WITH STANDOFF CAPS



STEP 4:
 - LOWER ACRYLIC TOP ASSEMBLY (E) AND SECURE
 IT IN PLACE WITH STANDOFF CAPS.



REMOVABLE PANEL TO ACCESS CASTER BRAKES

REV-2 4/24/2017

JOB#RMD	QTY: 1	CLIENT:	GAYLORD BROTHERS
DRAWN BY:	SHEET #:		
M. ALYEA	1 OF 1	PROJECT DESCRIPTION:	ROLLIE MOBILE DISPLAY SINGLE SIDED INSTALL

